



ASSEMBLY INSTRUCTION

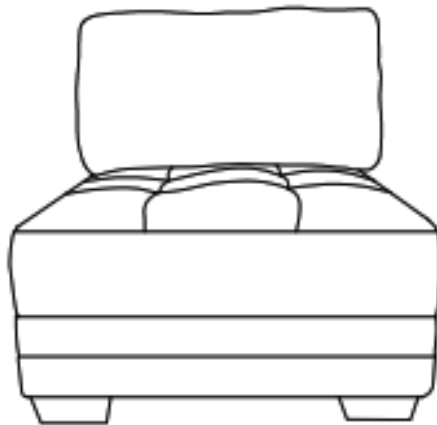
COLTON MODULAR – ARMLESS CHAIR

ITEM CODE: 64569

Imported by Amart Furniture Pty Ltd, Qld, Brisbane Australia.




For any assistance with assembly or for missing parts please phone

Amart Furniture Customer Service Free call 1800 351 084



HARDWARE LIST:

Armless Chair

| | | |
|---|---|------------------------------|
| A |  | 4 pcs |
| B |  | 4 pcs Bolt length – 7.5cm |
| C |  | Screwdriver Not Included |

Imported by Amart Furniture Pty Ltd, Qld, Brisbane Australia.

For any assistance with assembly or for missing parts please phone

Amart Furniture Customer Service Free call 1800 351 084

PRE-ASSEMBLY PREPARATION

Before you start:

1. Choose a clean, level and spacious assembly area. Avoid hard surfaces that may damage the product
2. Take care when lifting. Product should be assembled as close as possible to the point of use
3. Ensure that you have all required contents for complete assembly
4. Always read the assembly instructions carefully before beginning assembly
5. Keep all hardware parts and packaging out of reach of small children
6. Do not over tighten the screws and bolts as this may damage the threads

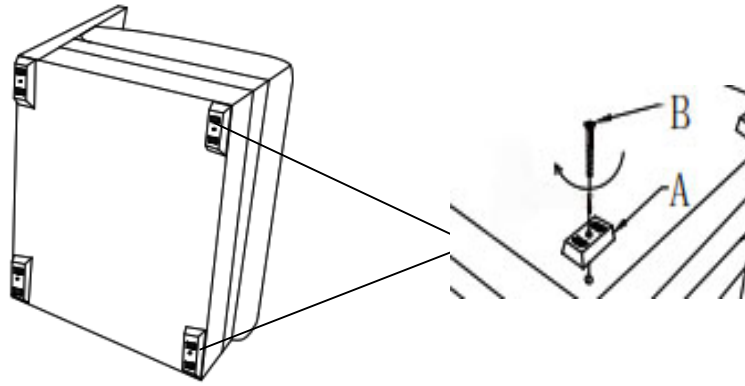


ALLOW 5 MINUTES

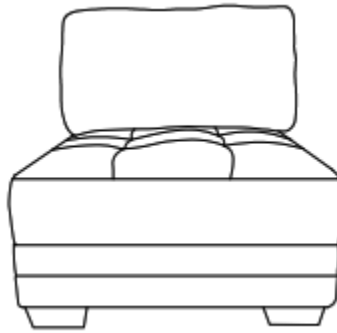


2 PEOPLE REQUIRED

STEP 1: Turn over onto blanket or carpet to ensure no damage to item. Insert screw (B) into Legs (A) and attach to the predrilled holes. Using a screw driver (C), turn clockwise until feet are tightened securely.



STEP 2: Assembly complete



**IMPORTANT: PLEASE ENSURE FEET ARE TIGHTENED SECURELY BEFORE USE!
WARNING – Do not drag lounge on any surface due to timber base, must be lifted.
Two person Lift Recommended**

CARE AND MAINTENANCE

Protect from direct sunlight, direct heat and weather.

All covers will fade over time.

Do not remove covers for cleaning.

Vacuum regularly using low suction.

Professional cleaning recommended.

Blot food and liquid spills immediately with a dry, white, clean cloth. Do not rub.

If required for further cleaning, use warm water and wipe with a damp cloth.

Dry in shade away from direct heat and sunlight.

Allow to dry thoroughly.

WARNING:

Apply only water-based soil resist (fabric protection) treatments.

Do not use aerosol products.

- PILLING IS NOT A FABRIC DEFECT OR FAULT AND IS NOT COVERED BY WARRANTY
- PILLING IS A NORMAL OCCURRENCE CAUSED BY WEAR AND TEAR AND DOES NOT AFFECT THE DURABILITY OR FUNCTIONALITY OF THE FABRIC AND IS EASILY REMOVED